

恒温槽付水晶発振器 (OCXO) FOC-A~F

Oven Controlled Crystal Oscillators (OCXO)



用途 / Typical Application

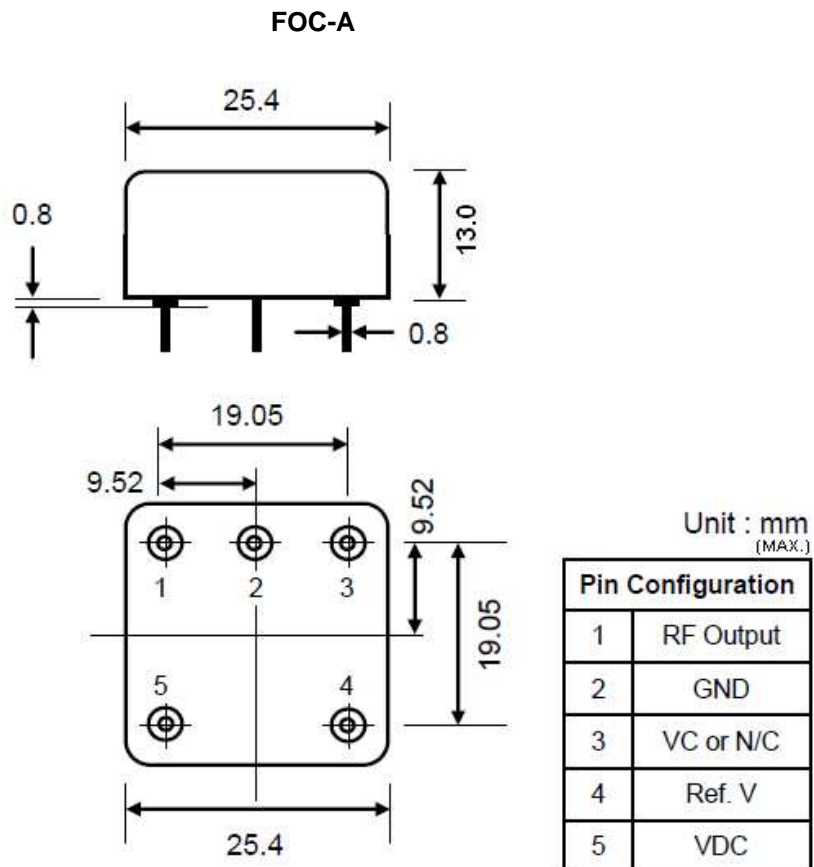
通信基地局 / Communication equipment.

特長 / Features

いろいろなサイズに対応 パッケージA~F / Available for many kind of packages

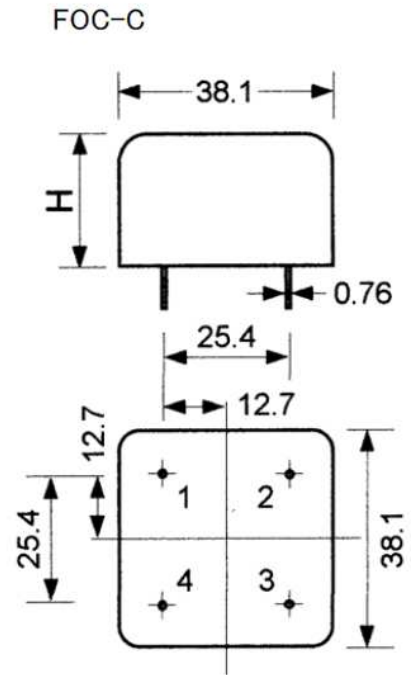
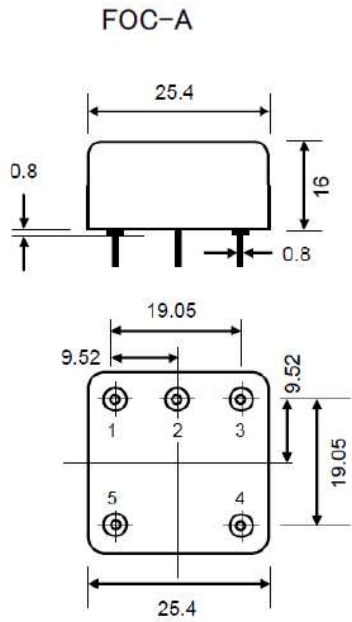
| 項目 / Parameters | 条件 / Conditions | 仕様 / Specifications |
|--------------------------------|-----------------|--|
| 型名 / Type | | FOC-A~F |
| 電源電圧 / Power supply voltage | DC VDD | +3.3V DC, +5.0V DC, +12.0VDC |
| 消費電流 / Current Consumption | | 100mA max. ~ 600mA max. |
| 周波数 / Frequency | | 1MHz ~ 70MHz |
| 動作温度範囲 / Operating temp. range | | -10°C ~ +50°C, -40°C ~ +85°C |
| 周波数安定度 / Frequency stability | Temperature | ±0.001ppm ~ ±1.0ppm |
| | Aging | ±0.1ppm, ±1.0ppm / year After 30days operation |
| 出力 / Output | | CMOS or Sine Wave |
| ウォームアップ時間 / Warm up time | | 4~30minuts / 25°C |
| 外部制御 / Frequency Tuning | | N/C, VC, |
| 保存温度 / Storage temp. range | | -40°C ~ +85°C |

外形寸法 / Dimensions (mm)

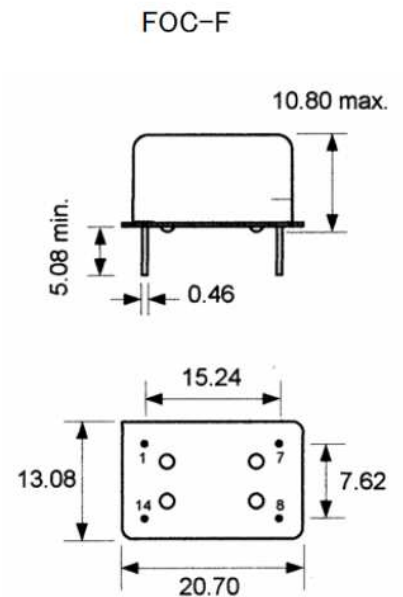
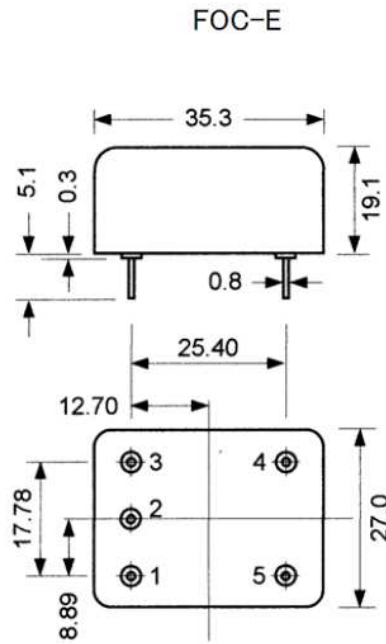
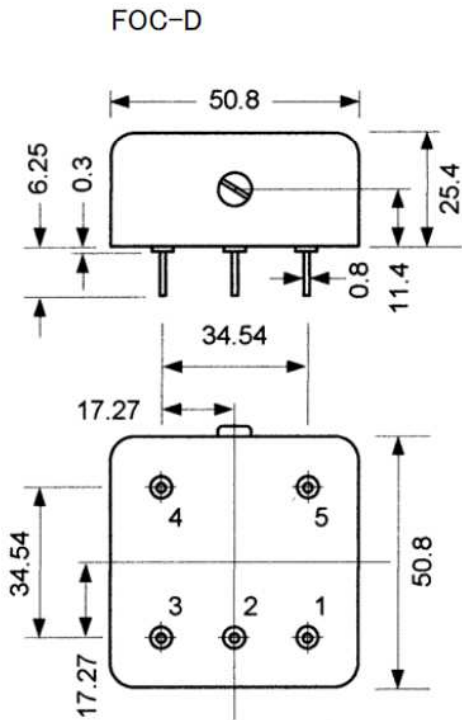


その他のパッケージは別紙ご参照下さい。 / Please see attached drawings on the packages.

OCXOパッケージ



Package C1 H = 12.7
Package C2 H = 25.4



Unit: mm

Pin Connections

Package: FOC-F

| Pin | Function |
|-----|-------------|
| 1 | N/C or Vcon |
| 7 | GND |
| 8 | Output |
| 14 | VDD |

Package: FOC-A, C, D, E

| Pin | A | C | D | E |
|-----|--------------|---------|---------|---------------|
| 1 | Output | GND | Vc | Freq. Control |
| 2 | GND | +12V DC | +5V DC | Ref. Voltage |
| 3 | N/C or Vcon | Output | Output | +12V DC |
| 4 | Ref. Voltage | Vc | GND | Output |
| 5 | VDC | * | +12V DC | GND |